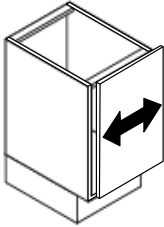


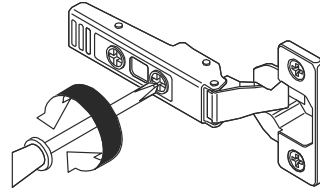
# Hinge Adjustments, Inset Cup Hinge

## Side Adjustment

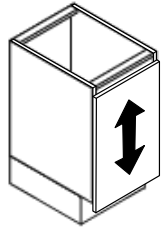


Turn front screw clockwise to increase door gap between butt doors, counter-clockwise to decrease.

Range =  $\frac{3}{32}$ "

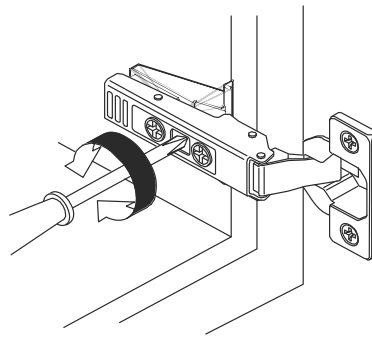


## Height Adjustment

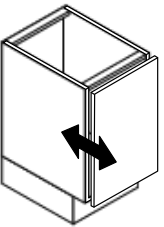


Rotate center cam screw. Adjust door to position and tighten screw.

Range =  $\frac{5}{32}$ "

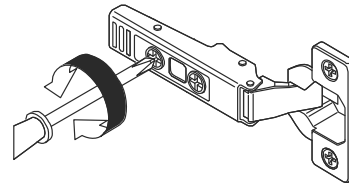


## Depth Adjustment



Turn rear cam screw counter-clockwise to increase door gap, clockwise to decrease.

Range =  $\frac{3}{16}$ "



## Door Removal & Install

Release the lever under the hinge arm to remove.

To reinstall, place hinge on the mounting plate and push back with finger pressure. The click sound confirms a secure attachment.

